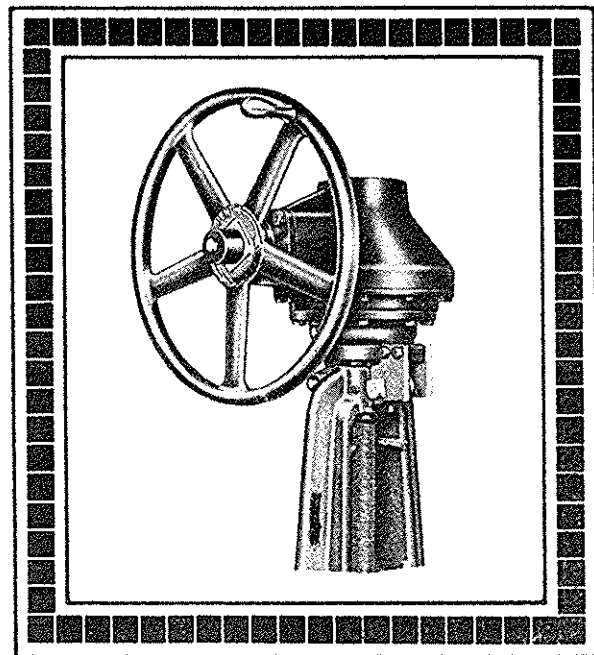
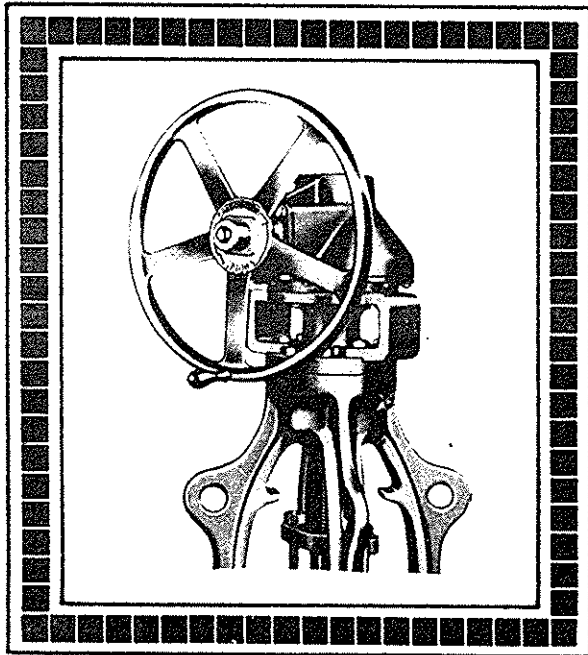


STAR GEARS

BEVEL GEAR ACTUATORS



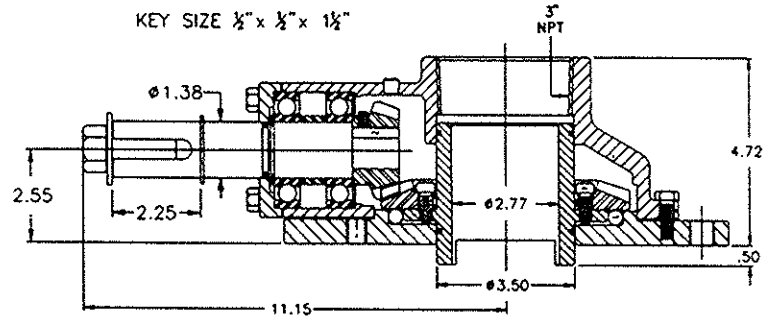
**●●● Dependable Performance ●●●
for All Multi-turn VALVE Applications**



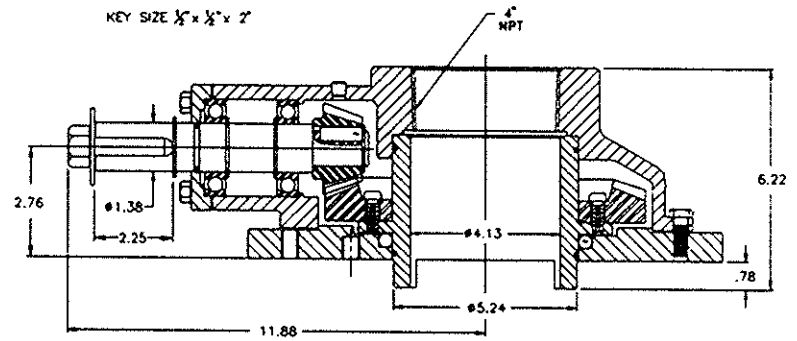
BEVEL GEAR ACTUATORS

DIMENSIONS

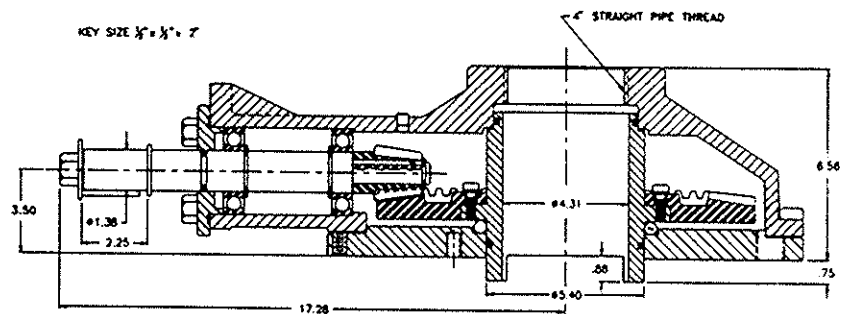
MODEL AA-18 ACTUATOR



MODEL B-24 ACTUATOR



MODEL C-24 ACTUATOR

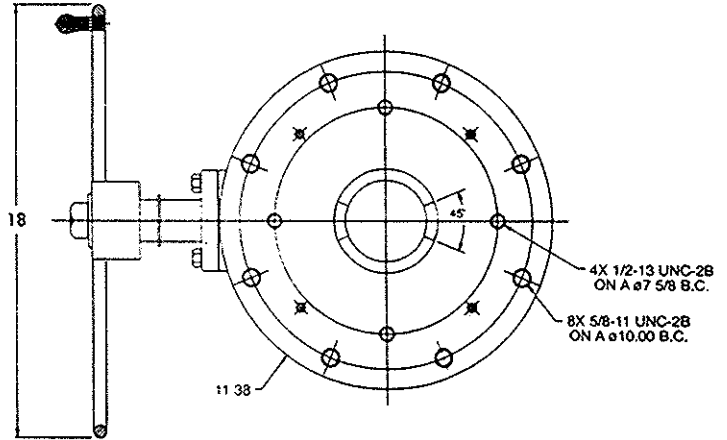




BEVEL GEAR ACTUATORS MOUNTING PATTERNS

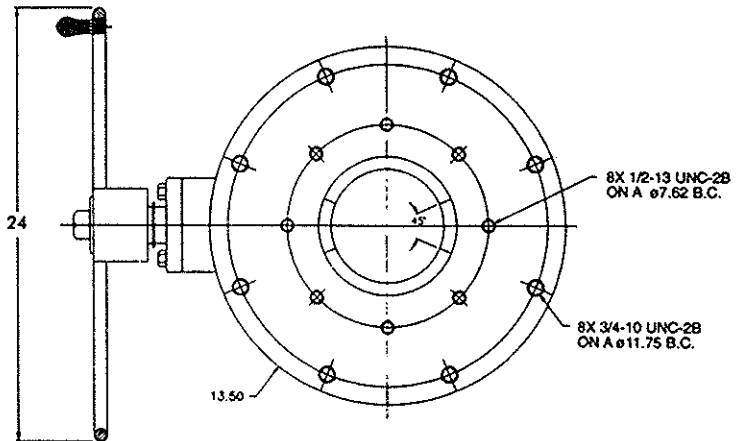
MODEL AA-18 ACTUATOR

WEIGHT WITH WHEEL	MAXIMUM OUTPUT TORQUE FT. LBS.	GEAR RATIO	PREDRILLED MOUNTING PATTERNS	
			MSS SP-102	TRADITIONAL
64	1000	2.92:1	FA25	
			(8) 5/8-11 UNC-2B ON A 10' BC	(4) 1/2-13 UNC-2B ON A 7 5/8' BC



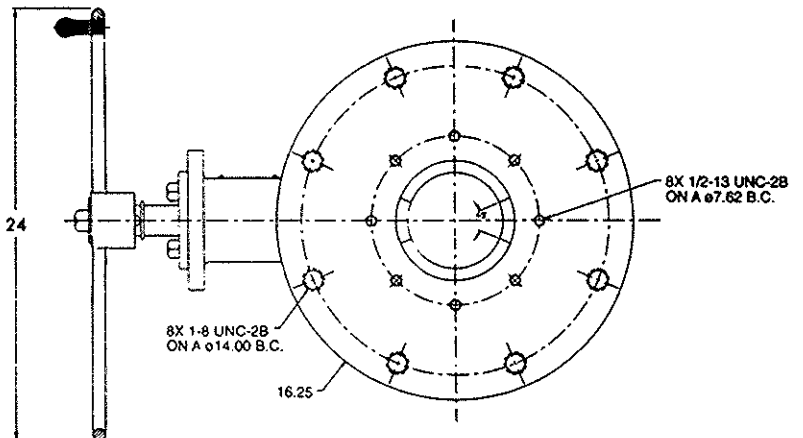
MODEL B-24 ACTUATOR

WEIGHT WITH WHEEL	MAXIMUM OUTPUT TORQUE FT. LBS.	GEAR RATIO	PREDRILLED MOUNTING PATTERNS	
			MSS SP-102	TRADITIONAL
98	2000	4.07:1	FA30	
			(8) 3/4-10 UNC-2B ON A 11 3/4' BC	(8) 1/2-13 UNC-2B ON A 7 5/8' BC



MODEL C-24 ACTUATOR

WEIGHT WITH WHEEL	MAXIMUM OUTPUT TORQUE FT. LBS.	GEAR RATIO	PREDRILLED MOUNTING PATTERNS	
			MSS SP-102	TRADITIONAL
200	4000	6 : 1	FA35	
			(8) 1-8 UNC-2B ON A 14' BC	(8) 1/2-13 UNC-2B ON A 7 5/8' BC





BEVEL GEAR ACTUATORS

MATERIAL SPECIFICATIONS

MATERIAL SPECIFICATIONS

PART IDENTIFICATION	QTY	MATERIAL
BOLT	8	CARBON STEEL
HOUSING	1	CAST IRON
BALLS	46	STEEL
CAP SCREW	4	CARBON STEEL
DRIVE SLEEVE	1	DUCTILE IRON
O-RING	2	RUBBER
BEVEL GEAR	1	1045 CARBON STEEL
PINION	1	1045 CARBON STEEL
PINION KEY	1	1045 CARBON STEEL
SET SCREW	1	CARBON STEEL
SHAFT SLEEVE	1	CARBON STEEL
SNAP RING	2	SPRING STEEL
BOLT	4	CARBON STEEL
O-RING	1	RUBBER
INPUT SHAFT	1	1045 CARBON STEEL
WASHER	1	CARBON STEEL
BOLT	1	CARBON STEEL
CAP	1	CARBON STEEL
GASKET CAP	2	PLASTIC
BALL BEARING	2	COMMERCIAL
BASE	1	CARBON STEEL
KEY	1	1045 CARBON STEEL
HANDWHEEL	1	CARBON STEEL
NUT	1	CARBON STEEL
SPINNER HANDLE	1	PLASTIC
SOCKET HEAD BOLT	1	CARBON STEEL

Star Bevel Gear Actuators are a fully enclosed light weight, maintenance free unit for valves which require gearing to facilitate operation. The actuators mount quickly and easily as installation does not require complicated parts. The manual valve actuators, Type AA, B, and C have been designed for simplicity, high efficiency and ease of adaptability to make them ideal for use on both small and large valves. The input shaft is mounted on anti-friction bearings and the bevel gear drive sleeve is supported by an integral bearing arrangement. The actuator does not take any of the valve stem thrust since the thrust is absorbed in the valve stem bushing.

The Wm. Powell Company
2503 Spring Grove Avenue
Cincinnati, OH 45214
Phone: 513/852-2000
Fax: 513/852-2997
email: WmPowell@msn.com